

# NETROPY<sup>®</sup> 40G HARDWARE GUIDE



# Netropy® 40G Hardware Guide

Hardware Revision: S1

Documentation Version: 2

Printed January 2017

## **Apposite® Technologies LLC**

11500 W. Olympic Blvd., Suite 510

Los Angeles, CA 90064 USA

[www.apposite-tech.com](http://www.apposite-tech.com)

tel: 1.310.477.9955

fax: 1.310.477.9956

email: [info@apposite-tech.com](mailto:info@apposite-tech.com)

Copyright ©2005-2017 Apposite Technologies LLC. All rights reserved. Apposite, Linktropy, and Netropy are registered trademarks of Apposite Technologies LLC. The Apposite logo and "WAN Emulation Made Easy" are trademarks of Apposite Technologies LLC.

Part No. DOC-HG-40G-S12

---

# Contents

---

1 Overview.....	3
2 Included Items.....	4
3 Front and Rear Panels.....	5
3.1 Front Panel.....	5
3.2 Rear Panel.....	6
4 Capacity Limitations.....	7
5 Slide Rail Installation.....	9
6 QSFP Interfaces.....	12
7 Console Interface.....	13
8 Apposite Support.....	14
Appendix A: Specifications.....	15
Appendix B: Regulatory.....	16
Federal Communications Commission Notice.....	16
Canadian Notice / Avis Canadien.....	16
CE Certification.....	16
Appendix C: Netropy End User License Agreement.....	17

# 1 OVERVIEW

---

This *Netropy 40G Hardware Guide* describes the physical hardware of the Netropy 40G Network Emulator. The companion *User's Guide* describes the installation, configuration, and operation of the Netropy network emulation functionality. A separate *Quick Start Guide* provides a walk-through for first time configuration.



The Netropy 40G contains no user serviceable parts. Opening the chassis voids the warranty. If you believe your unit is not functioning properly, see Section 8 for information on obtaining support.

This guide is for the Netropy 40G hardware revision –S1.

# 2 INCLUDED ITEMS

---

The Netropy 40G shipping carton contains the following items:

- ▶ Netropy 40G hardware unit
- ▶ Slide rail kit and rack ear brackets
- ▶ Documentation CD
- ▶ Netropy 40G Quick Start Guide
- ▶ AC power cord (U.S.) quantity 2
- ▶ RS-232 DB9 serial cable

# 3 FRONT AND REAR PANELS

---

## 3.1 Front Panel



The front panel of the Netropy 40G contains:

**Power LED:** Lit green when the unit is powered on.

**Power Button:** Press the power button on the front panel to turn the device on or off.

## 3.2 Rear Panel



The rear panel of the Netropy 40G contains (from left to right):

**Redundant Power Input:** Dual IEC C14 sockets for redundant power input. U.S. and Canadian customers should use the supplied power cords to connect both sockets to a power outlet. International customers may need to substitute a local power cord with a standard IEC C13 plug. The Netropy 40G handles AC power input from 100 to 240 V. If power is supplied to only one of the power inputs or if one of the power supplies fails, the system will sound an alarm.

**CONSOLE:** Console interface using RS-232 with a DB9 connector. See Section 7 for a pin-out of the console interface.

**MGMT:** Gigabit Ethernet interface with a standard RJ45 connector for management of the unit over the network.

**PORTS 1 – 2:** Two 40 GbE QSFP interfaces. See Section 6 for details. The top LED on each port glows green when link is established. The amber LED below blinks to indicate activity.



Please ensure the space around the fan outlets on the back panel and the air intakes on the side panels remains unblocked to provide adequate airflow and prevent overheating.

# 4 CAPACITY LIMITATIONS

---

The Netropy 40G can forward up to 40 Gbps of packets in each direction for an aggregate capacity of 80 Gbps.

Each port can forward packets at a rate of 16 million packets per second (with 64 byte packets) and an aggregate limit of 32 million pps (with 64 byte packets).

These limits apply regardless of whether emulation is on or off. These limits may be reduced depending on the classification methods used.

The maximum one-way latency that the Netropy 40G supports depends on data throughput and packet size. The chart below summarizes a few typical examples for traffic in one direction. To calculate the maximum latency in each direction for traffic in both directions at the listed rate, divide these maximum one-way latencies values in half. The listed values are based on actual data throughput, not path bandwidth settings. Users who need to emulate latencies close to these limits are advised to contact Aposite to discuss their specific requirements. Maximum latencies of over 20 seconds are not specifically listed, but are not limited to 20 seconds and may be much larger than 20 seconds.

The maximum emulation bandwidth may be limited below the hardware capacity by the device's license key. See the *Netropy User's Guide* for more details on the license key.

Aggregate Throughput	Frame Size (Non-Jumbo Packets)		
	100 bytes	500 bytes	1518 bytes
1 Gbps	>20 sec	>20 sec	>20 sec
10 Gbps	3.9 sec	19.7 sec	>20 sec
40 Gbps	**	5.1 sec	15.1 sec

\*\* Not supported by maximum packet rate

**Table 1: Maximum Round-Trip Latency for Standard Sized Packets**



Aggregate Throughput	Frame Size (Jumbo Frames)	
	1520 bytes	9220 bytes
1 Gbps	>20 sec	>20 sec
10 Gbps	5.3 sec	>20 sec
40 Gbps	1.3 sec	8.1 sec

**Table 2: Maximum Round-Trip Latency for Jumbo Frames**

# 5 SLIDE RAIL INSTALLATION

---

## 1. PREPARATION

### **SLIDE RAIL COMPONENTS:**

- A. 6mm Screws
- B. 6mm Flat Head Screws
- C. 1.2mm Flat Head Screws and Conical Washers
- D. Inner Fixed Chassis Rail (x2 pre-installed)
- E. Additional Chassis Rails with Locking Tab (x2)
- F. Outer Rail, Short Bracket (x2)
- G. Outer Rail, Long Bracket (x2)
- H. Short Brackets (x4)

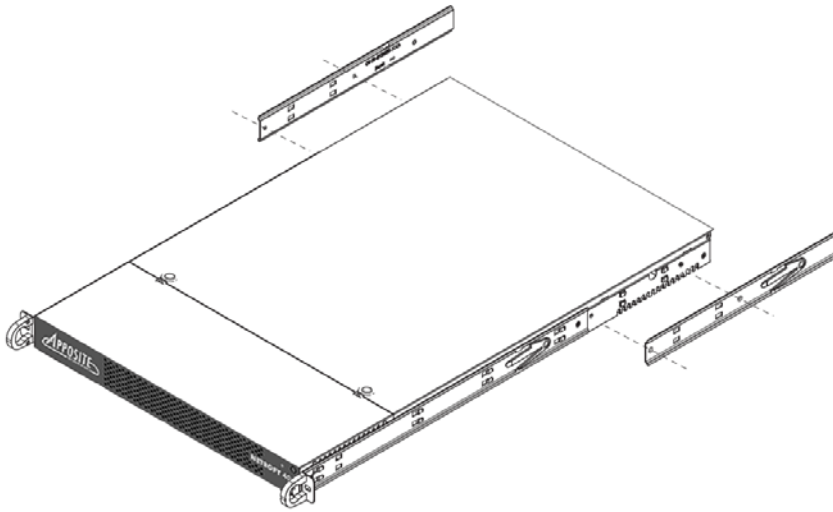
Note: For the installations described below, not all of the supplied components will be needed. Rack screws and cage nuts used to secure the ears to the rack are not included.

### **TOOLS REQUIRED:**

- Phillips Screwdriver

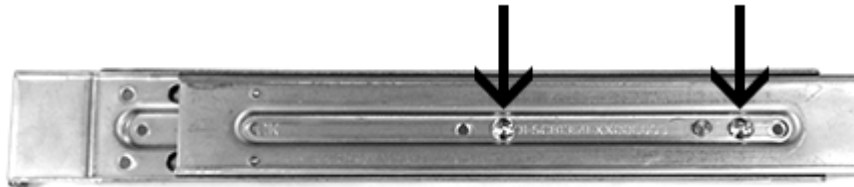
## 2. Attach Additional Chassis Rails (Optional)

- A. For longer racks, attach an Additional Chassis Rail (E) to the left and right side of the unit using Flat Head Screws (B). For racks shorter than 31", the Additional Chassis Rails if attached will extend out the back of the rack.



## 3. Installing the Unit into a Four Post Rack

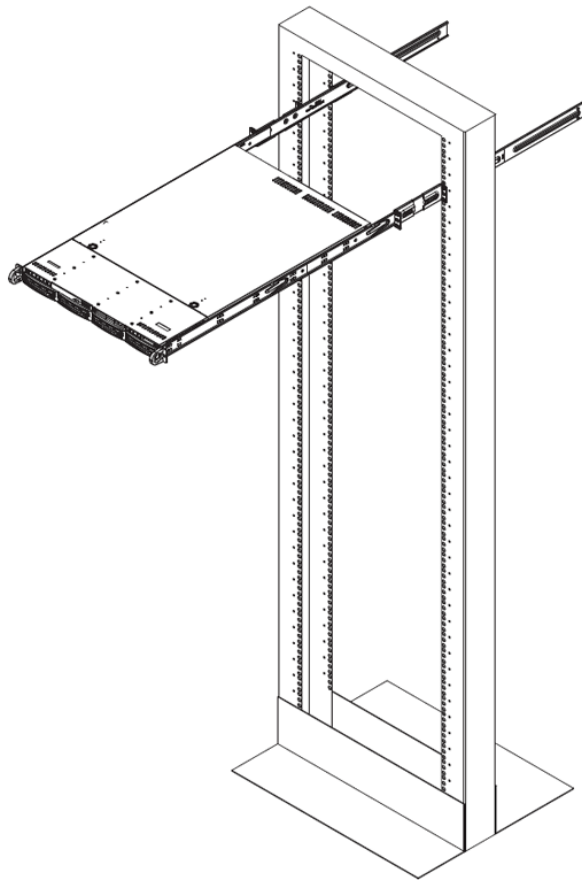
- A. Place the Short Outer Rail Bracket (F) onto the Long Outer Rail Bracket (G). Adjust the length of the rails to fit the size of your rack.
- B. Secure the Outer Rails to your rack using 3 screws in the back and 2 screws in the front (leaving the middle screw hole open.)
- C. Lock the outer rail from sliding using screws (A) in the two threaded holes on each rail as shown.



- D. Carefully slide the inner rails of the chassis into the Outer Rails installed on the rack until they lock into place.
- E. If desired, lock the unit in place with a screw through the front ears.

## 4. Installing the Unit into a Two Post Rack

- A. Attach a Short Bracket (H) to the middle of both Long Outer Rail Brackets (G) using 2 screws (A) on each.
- B. Secure the middle of the Outer Rail to your rack.
- C. Carefully slide the Inner Rails of the chassis all the way into the Outer Rails attached to the rack. Lock the unit in place with a screw through the front ears.



# 6 QSFP INTERFACES

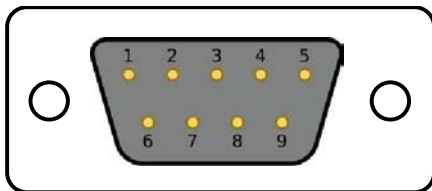
---

The Netropy 40G has two QSFP 40 Gbps interfaces. The interfaces accept any standard 40 Gbps QSFP transceivers available from a variety of vendors or from Apposite. Through the use of a QSFP-to-SFP+ adapter (separately available from Apposite), the interfaces can also accept standard 10 Gbps SFP+ transceivers and 1 Gbps SFP transceivers. The interfaces will auto-negotiate to 1G/10G/40G.

# 7 CONSOLE INTERFACE

---

Console access to the Netropy 40G is through the RS-232 interface on the rear panel labeled "CONSOLE." A DB9 cable is included with the unit to connect the device to a standard PC serial port. The pin-out for the DB9 connector is shown below:



Pin	Definition	Pin	Definition
1	DCD	6	DSR
2	RxD	7	RTS
3	TxD	8	CTS
4	DTR	9	RI
5	GND		

To connect to the console, use a terminal or a computer running terminal emulation software such as HyperTerminal or PuTTY, and set the following parameters:

- 9600 baud
- 8 data bits
- No parity
- 1 stop bit
- Disable flow control

# 8 APPOSITE SUPPORT

---

Purchase of the Netropy 40G includes one year hardware warranty and one year of support and maintenance. Extended maintenance packages are available from Apposite or your local Netropy reseller.

If you believe your unit is not functioning properly and is under warranty, please upgrade to the latest firmware release. If the problem persists, please contact Apposite Support at:

support@apposite-tech.com  
1.310.477.9955 ext. 2

When contacting Apposite Support, please include the following information:

- ▶ Netropy model
- ▶ Serial number
- ▶ Your e-mail address and phone number
- ▶ Installed firmware version
- ▶ A detailed description of the problem



Do not attempt to fix any hardware problem yourself. The Netropy 40G contains no user serviceable parts. Opening the chassis voids the warranty.

# APPENDIX A: SPECIFICATIONS

Capacity		
Max. Emulation Rate		40 Gbps
Max. Throughput		80 Gbps aggregate
Max. Packet Rate		32 million packets per second aggregate (64 byte packets) 16 million packets per second in each direction (64 byte packets)
Max. Frame Size		9 KB
Interfaces		
Network		2 x QSFP 40 GbE (1G/10G/40G auto-negotiate)
Management		1 x Gigabit Ethernet (10/100/1000baseT)
Console		1 x RS-232 DB9
Environmental and Physical		
AC Input Voltage		Auto ranging 100 VAC to 240 VAC
AC Input Frequency		50 to 60 Hz
AC Input Current		1.6 A
Power Draw		190 Watts
Dimensions	Product	28" D x 17" W x 1.75" H (1 RU) 72 cm D x 44 cm W x 4.4 cm H (1 RU)
	Shipping	34" x 24" W x 8" 87 cm x 61 cm x 21 cm
Weight	Product	25 lbs. (11 kg)
	Shipping	36 lbs. (17 kg)
Temperature	Operating	50° to 95°F (10° to 35°C)
	Storage	-40° to 158°F (-40° to 70°C)
Humidity	Operating	20% to 95% (non-condensing)
	Storage	5% to 95% (non-condensing)
Certifications		FCC Class A, CE, RoHS
Warranty and Support		
Hardware warranty		1 year
Support and Maintenance		1 year, including all firmware upgrades



# APPENDIX B: REGULATORY

---

## Federal Communications Commission Notice

This equipment has been tested and verified to comply with the limits for a Class A digital device, pursuant to Part 15 of FCC Rules. These limits are designed to provide reasonable protection against harmful interference when the equipment is operated in a commercial environment. This equipment generates, uses, and can radiate radio frequency energy and, if not installed and used in accordance with the instructions, may cause harmful interference to radio communications. Operation of this equipment in a residential area may cause harmful interference, in which case the user will be required to take whatever measures may be required to correct the interference at their own expense.

## Canadian Notice / Avis Canadien

This Class A digital apparatus meets all requirements of the Canadian Interference-Causing Equipment Regulations.

Cet appareil numérique de la classe A respecte toutes les exigences du Règlement sur le matériel brouilleur du Canada.

## CE Certification

The product described in this manual complies with all applicable European Union (CE) directives, including EU Directives on Radio Equipment and Telecommunications Terminal Equipment and Restriction of Hazardous Substances (RoHS).

# APPENDIX C:

## NETROPY END USER LICENSE AGREEMENT

---

The Apposite Technologies LLC (“Apposite”) Netropy product includes the Netropy hardware (“Hardware”), software embedded in the Hardware (“Software”), including any upgrades, modified versions, updates, additions and copies of the Software, and related explanatory materials (“Documentation”). Collectively, the Hardware, Software, and Documentation are the “Product.”

Conditioned upon compliance with the terms and conditions of this Agreement, Apposite hereby grants you a nonexclusive and nontransferable license to use the Software solely as embedded on the Hardware, and to use the Documentation solely in conjunction with the Software and Hardware.

### Title and Restrictions

Apposite retains all right, title and interest in the Software and Documentation. The Software and Documentation are protected by United States and international copyright and other intellectual property laws and international trade provisions. Except as otherwise expressly provided under this Agreement, you shall not directly or authorize any third party to:

- (i) copy the Software, except as necessary for archival or backup purposes only;
- (ii) transfer, assign, sublicense, rent, lease, lend, or otherwise transfer your license rights to any other person or entity;
- (iii) install or use the Software on any computing device other than the Hardware;
- (iv) modify or adapt the Software or Documentation or create derivative works based upon the Software or Documentation;
- (v) reverse engineer, disassemble, decompile, decrypt, or otherwise attempt to derive the source code of the Software, except to the extent otherwise expressly permitted under applicable law notwithstanding this restriction. To the extent required by law, and at your written request, Apposite will provide you with the interface information needed to achieve interoperability between the Software and another independently created program;
- (vi) remove, alter, cover or obfuscate any of the trademarks, trade names, logos, patent or copyright notices or markings, or add any other notices or markings to or on the Software, Documentation, or Hardware without the express written authorization of Apposite.

### Limited Warranty

Apposite warrants that for a period of one (1) year from the date of shipment of the Hardware to you (“Warranty Period”), the Hardware will be free of any defects in materials and workmanship under normal use and the Software will perform substantially in accordance with the Documentation. This limited warranty extends only to the original user of the Product. This limited warranty is void if failure of the Hardware or Software to conform to the warranty has resulted from improper installation, testing, misuse, neglect, accident, fire or other hazard, or any breach of this Agreement.

Apposite and its suppliers' entire liability and your sole and exclusive remedy shall be, at Apposite's sole discretion, to (i) repair the Software or Hardware; (ii) provide replacement Hardware or Software; or (iii) refund the purchase price and terminate this Agreement. This limited warranty applies only if the product is returned to Apposite, freight and insurance prepaid, in accordance with Apposite's Return Material Authorization (RMA) procedures. Any repaired or replaced Software or Hardware will be warranted for the remainder of the original Warranty Period or thirty (30) days, whichever is longer.

### **Disclaimer of Warranties**

THE FOREGOING LIMITED WARRANTY IS IN LIEU OF ALL OTHER WARRANTIES OR CONDITIONS, EXPRESS OR IMPLIED, AND APPOSITE DISCLAIMS ANY AND ALL IMPLIED WARRANTIES OR CONDITIONS, INCLUDING, WITHOUT LIMITATION, ANY IMPLIED WARRANTY OF TITLE, NONINFRINGEMENT, MERCHANTABILITY OR FITNESS FOR A PARTICULAR PURPOSE. THIS WARRANTY GIVES YOU SPECIFIC LEGAL RIGHTS, AND YOU MAY ALSO HAVE OTHER RIGHTS WHICH VARY BY JURISDICTION.

### **Limitation of Liability**

REGARDLESS WHETHER ANY REMEDY SET FORTH HEREIN FAILS OF ITS ESSENTIAL PURPOSE, IN NO EVENT WILL APPOSITE OR ITS SUPPLIERS BE LIABLE FOR ANY DAMAGES, INCLUDING WITHOUT LIMITATION, ANY LOST PROFITS, BUSINESS INTERRUPTION, LOSS OF INFORMATION, OR OTHER INCIDENTAL OR CONSEQUENTIAL DAMAGES HOWEVER CAUSED AND REGARDLESS OF THE THEORY OF LIABILITY OR WHETHER ARISING OUT OF THE USE OF OR INABILITY TO USE THE PRODUCT AND EVEN IF APPOSITE OR ITS SUPPLIERS HAVE BEEN ADVISED OF THE POSSIBILITY OF SUCH DAMAGES. IN NO EVENT SHALL APPOSITE OR ITS SUPPLIERS' LIABILITY, WHETHER IN CONTRACT, TORT (INCLUDING NEGLIGENCE), BREACH OF WARRANTY, OR OTHERWISE, EXCEED THE PRICE PAID FOR THE PRODUCT. SOME STATES DO NOT ALLOW THE LIMITATION OR EXCLUSION OF LIABILITY FOR INCIDENTAL OR CONSEQUENTIAL DAMAGES, SO THE ABOVE LIMITATION MAY NOT APPLY TO YOU.

### **Term and Termination**

This agreement takes effect upon your use of the software and remains effective until terminated. You may terminate it at any time by destroying all copies of the Software and Documentation in your possession. This license will terminate immediately if you fail to comply with any term or condition of this agreement. You agree on termination of this license to cease all use of the Software and Documentation. In addition, the provisions of the sections "U.S. Government Restricted Rights" and "Export" shall survive termination of this agreement.

### **Export**

The Product, including the underlying technology, is subject to U.S. export control laws, and may be subject to export or import regulations in other countries. You may not export or import the Product and the underlying technology, directly or indirectly, in violation of these laws. You agree to comply strictly with all such laws and regulations and acknowledge that you have the responsibility to obtain such licenses to export, re-export, or import as may be required.

### **U.S. Government Restricted Rights**

The Software and Documentation qualify as "commercial computer software" and "commercial computer software documentation" pursuant to FAR 12.212 and DFAR 227.7202. The Software and Documentation are being licensed to

U.S. Government end users only as Commercial Items and with only those rights as are granted to all other end users pursuant to the terms and conditions of this agreement.

### **General Provisions**

This agreement will be governed by and construed in accordance with the laws of the State of California without reference to its conflicts of law provisions. This agreement shall not be governed by the United Nations Convention on Contracts for the International Sale of Goods, the application of which is expressly excluded. If for any reason a court of competent jurisdiction finds any provision, or portion thereof, to be unenforceable, the remainder of this agreement shall continue in full force and effect.

This agreement constitutes the entire agreement between the parties with respect to the Product and supersedes all prior or contemporaneous understandings regarding such subject matter, whether written or oral, and supersedes any conflicting or additional terms contained in any purchase order or elsewhere, all of which terms are excluded. No amendment to or modification of this agreement are binding unless in writing and signed by Apposite.

### **Third Party Acknowledgements**

Portions of the Software utilize or include third party software and other copyrighted material. Acknowledgements, licensing terms and disclaimers for such material are contained in the Netropy User's Guide, and your use of such material is governed by their respective terms. Certain third party software are free software licensed under the terms of the GNU General Public License (GPL). You may obtain a complete machine-readable copy of the source code for such free software under the terms of the GPL. The GPL software is distributed in the hope that it will be useful, but WITHOUT ANY WARRANTY, without even the implied warranty of MERCHANTABILITY or FITNESS FOR A PARTICULAR PURPOSE. A copy of the GPL is included in the product User's Guide.

**Apposite<sup>®</sup> Technologies LLC**

11500 W. Olympic Blvd., Suite 510

Los Angeles, CA 90064 USA

[www.apposite-tech.com](http://www.apposite-tech.com)

tel: 1.310.477.9955

fax: 1.310.477.9956

email: [info@apposite-tech.com](mailto:info@apposite-tech.com)